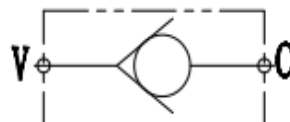


图形符号/SYMBOL:



技术参数/TECHNICAL DATA:

应用材料/MATERIAL 适用工作环境/OPERATIONAL

阀体/BODY: 钢 安装/MOUNTING

阀芯/VALVES: 硬质钢/Hardened

温度/TEMPERATURES 按需/as preferred

理想工作温度: +40°C~+70°C

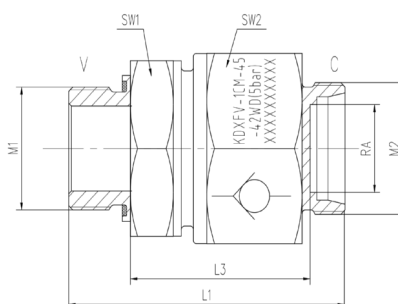
Ideal operating range between +40°C and +70°C

最低/最高环境温度: -20°C~+60°C

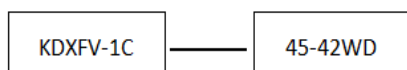
Min/Max environment temps -20°C~and

最高工作温度: 90°C/Max operating

外形尺寸/OVER DIMENSION:



型号说明/MODEL CODE:



①

②

①单向阀系列代号/check valve series code :KDXFV-1C型/KDXFD-1C type

②连接螺纹尺寸/connect thread dimension:BBSP

应用

压力作用下使得流体从V流向C，而液体从C向V流动时则被反向密封，油液无法通过。/Under pressure the fluid flow from V to C, and the flow from C to V are blocked in the reverse

型号	压力(bar)	管径 (RA)	L1	L3	SW1	SW2	M1	M2
KDXFV-1CB-22-08WD	350	15	65	44	27	32	G1/2	M22X1.5
KDXFV-1CB-16-04WD	400	10	57.5	38.5	22	24	G1/4	M16X1.5
KDXFV-1CB-14-04WD	400	8	48	29	19	22	G1/4	M14X1.5
KDXFV-1CM-26-22WD	400	18	71.5	47	36	41	M22X1.5	M26X1.5
KDXFV-1CM-52-48WD	250	42.3	75	54.5	65	70	M48X2	M52X2
KDXFV-1CM-30-26WD	250	22	79	52.5	41	46	M26X1.5	M30X2
KDXFV-1CM-45-42WD	250	35.3	103	69.5	60	65	M42X2	M45X2
KDXFV-1DM-16-27WD	400	10	72.5	49.5	32	36	M27X2	M16X1.5