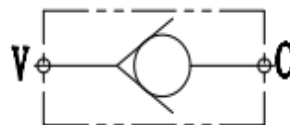


图形符号/SYMBOL:



技术参数/TECHNICAL DATA:

应用材料/MATERIAL 适用工作环境/OPERATIONAL

阀体/BODY: 钢 安装/MOUNTING

阀芯/VALVES: 硬质钢/Hardened

温度/TEMPERATURES 按需/as preferred

理想工作温度: +40°C~+70°C

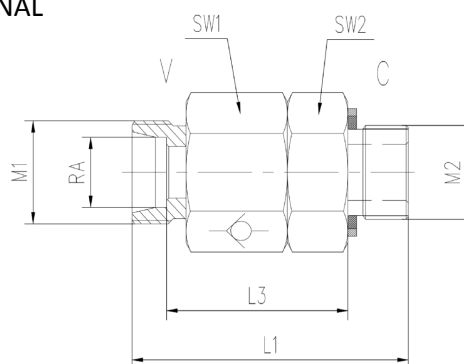
Ideal operating range between +40°C and +70°C

最低/最高环境温度: -20°C~+60°C

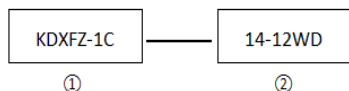
Min/Max environment temps -20°C~and

最高工作温度: 90°C/Max operating

外形尺寸/OVER DIMENSION:



型号说明/MODEL CODE:



①单向阀系列代号/check valve series code :KDXFZ-1C型/KDXFZ-1C type

②连接螺纹尺寸/connect thread dimension:BBSP

应用

压力作用下使得流体从V流向C，而液体从C向V流动时则被反向密封，油液无法通过。/Under pressure the fluid flow from V to C, and the flow from C to V are blocked in the reverse

型号	压力 (bar)	管径 (RA)	L1	L3	SW1	SW2	M1	M2
KDXFZ-1CM-14-12WD	400	8	48	29	19	22	M14X1.5	M12X1.5
KDXFZ-1CM-36-33WD	250	28	92	66.5	50	55	M36X2	M33X2
KDXFZ-1CM-52-48WD	250	42.3	105	69	65	70	M52X2	M48X2
KDXFZ-1CM-16-14WD	400	10	57.5	38.5	22	24	M16X1.5	M14X1.5
KDXFZ-1CB-18-06WD	315	12	60	40.5	30	30	M18X1.5	G3/8
KDXFZ-1DB-36-16WD	315	25	96	65.5	46	46	M36X2	G1
KDXFZ-1CB-30-12WD	315	22.2	78	50.5	41	41	M30X2	G3/4
KDXFZ-1CB-22-08WD	350	15	64	42	30	30	M22X1.5	G1/2
KDXFZ-1CB-26-08WD	350	18	71.5	50	36	41	M26X1.5	G1/2
KDXFZ-1DB-24-08WD	350	16	67.5	44	30	30	G1/2	M24X1.5
KDXFZ-1CB-36-16WD	315	28	92	63	46	46	M36X2	G1