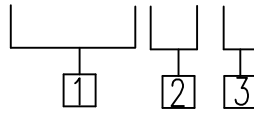


订货代号 TO ORDER

KRVC-\*\*-\*

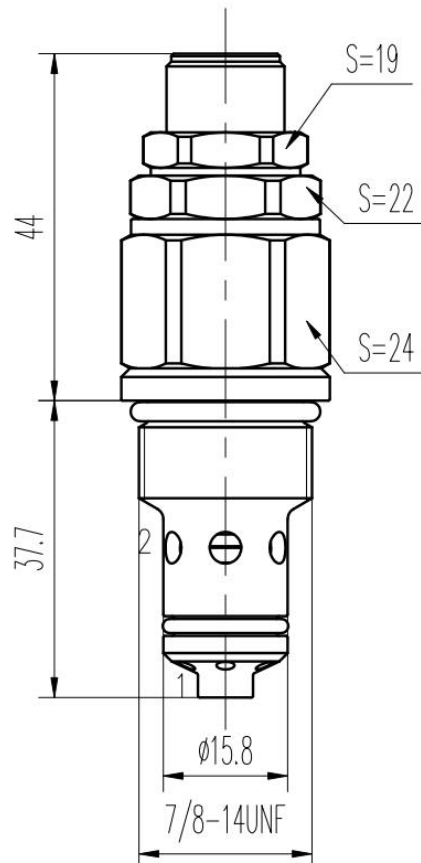


1 公司代号  
Company code

2 空腔 Cavity  
S10=7/8-14UNF with  $\phi 15,86$  nose size

3 弹簧范围 Spring Ranges  
Y =15-60bar  
N =25-135bar  
B =50-220bar  
G =120-350bar

安装尺寸 INSTALLATION DIMENSIONS



# KRVC-S10-G

直动式溢流阀

## 说明 DESCRIPTION

A screw-in, cartridge style, direct acting normally closed hydraulic relief valve.

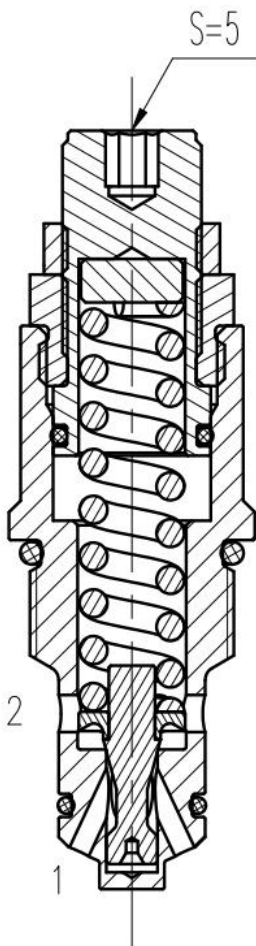
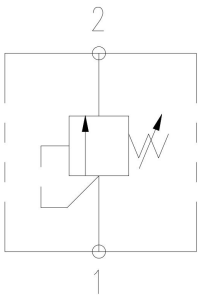
旋入式、套筒式、直动式、常闭液压安全阀

## 工作 OPERATION

When the pressure at the inlet ① reaches the valve setting, the valve starts to open to tank ② throttling flow to minimize the pressure rise.

当①的压力达到阀门设定值时，阀门开始向油口②打开，节流流量，使压力上升最小化。

## 符号 SYMBOL



## 技术参数 SPECIFICATIONS

工作压力 (Operating pressure):	350bar
流量 (Flow):	50L/min
内泄漏 (Internal Leakage):	0.25cc/min to 80% of nominal set point
温度 (Temperature):	-20° C to +90° C
安装扭矩 (Installation torque):	55-65Nm
过滤 (Filtration):	参考过滤要求 (Reference filter requirements)
油液 (Fluids):	Mineral-based fluids with viscosities of 7.4 to 420 cSt. (矿物油粘度)
插孔 (Cavity):	VC10-2

## 压力-流量曲线 PRESSURE DROP VS. FLOW

