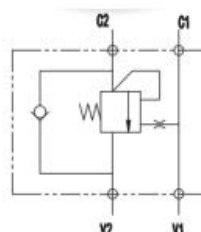


型号/TYPE	L	L1	L2	L3	L4	L5	L6	N	H	S
KLCD-G1/4-SE	110	150	90	90	20	50	55	Ø8.5	60	30
KLCD-G3/8-SE	110	150	91	91	20	50	55	Ø8.5	60	30
KLCD-G1/2-SE	110	150	91	91	20	50	57.5	Ø8.5	65	35

图形符号/SYMBOL:



技术参数/TECHNICAL DATA:

应用材料/MATERIAL EMPLOYED

阀体/BODY: 钢/STEEL

阀芯/VALVES: 钢/STEEL

密封/SEALS: 丁腈胶/NBR

温度/TEMPERATURES

理想工作温度: +40°C~+70°C

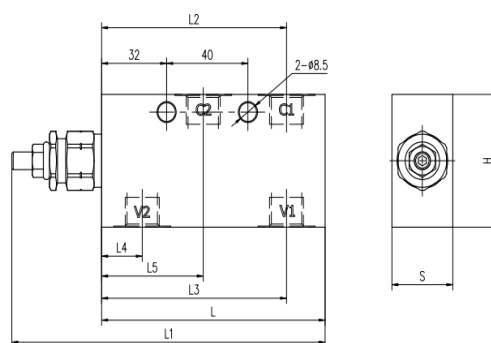
Ideal operating range between +40°C and +70°C

最低/最高环境温度: -20°C~+60°C

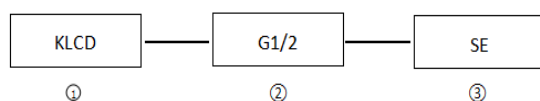
Min/Max environment temps -20°C~and

最高工作温度: 90°C/Max operating temperature 90°C

外形尺寸/OVER DIMENSION:



型号说明/MODEL CODE:

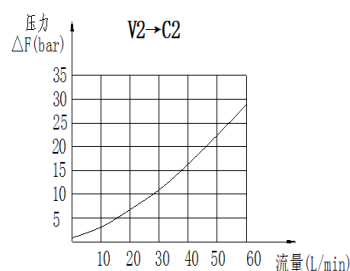
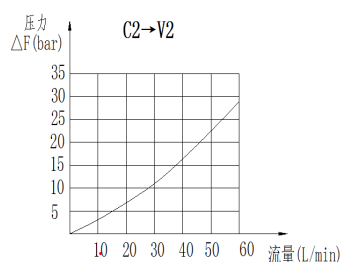


①液控单平衡阀系列代号/single overcenter valve

②阀体连接螺纹形式/connect thread dimension:BBSP

③单向平衡阀/ Single overcenter valves

流量曲线图/FLOW DIAGRAM:



型号/TYPE	最大压力 (bar)		最大流量 (L/min)	先导比 (pilot ratio)	V1-V2 C1-C2
	钢/steel	铝/aluminum			
KLCD-G1/4-SE	350	210	20	4.5:1	G1/4
KLCD-G3/8-SE			40		G3/8
KLCD-G1/2-SE			60		G1/2