

KSF16-29

二位三通电磁阀 双向止回型

说明 DESCRIPTION

A solenoid operated, 2-way, 2-position, normally open, poppet-type bi-directional cartridge valve.

二位，三通，常开型座阀式电磁阀

工作 OPERATION

When de-energized, the poppet allows flow in both directions. When energized, the valve blocks flow in both directions.

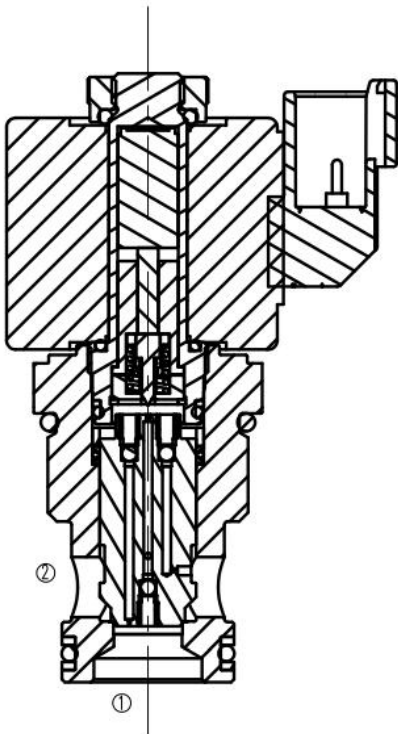
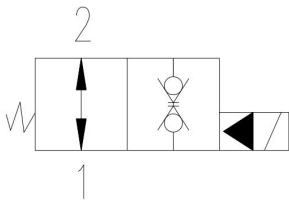
失电时，阀芯开启，②到①，①到②互通；
 得电时，此阀截止油液双向流动。

手控应急 Operation of Manual Override Option

To override, push button in to activate. To return to normal valve function, release button.

请用工具按下并按住按钮，②与①双向截止；松开按钮，返回常态。

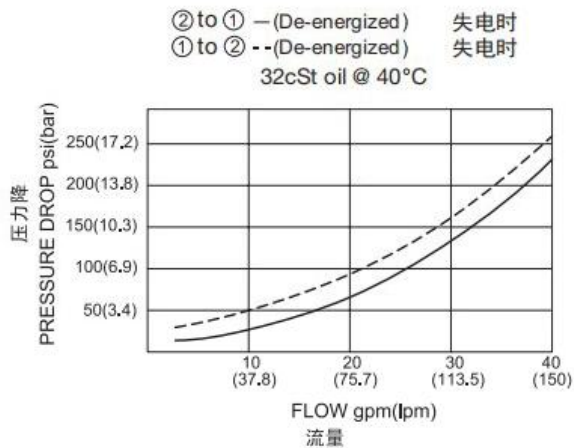
符号 SYMBOL



技术参数 SPECIFICATIONS

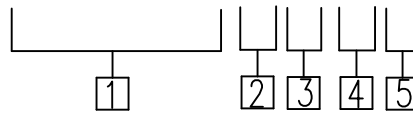
工作压力 (Operating pressure):	350bar
流量 (Flow):	150L/min
内泄漏 (Internal Leakage):	<0.25 cm ³ /min at 350 bar
线圈额定负载 (Coil Duty Rating):	Continuous from 85% to 115% of nominal voltage
温度 (Temperature):	-40° C to +100° C
过滤 (Filtration):	参考过滤要求 (Reference filter requirements)
油液 (Fluids):	Mineral-based fluids with viscosities of 7.4 to 420 cSt. (矿物油粘度)
插孔 (Cavity):	VC10-2

压力-流量曲线 PRESSURE DROP VS. FLOW



订货代号 TO ORDER

KSF16-29-*-*-*-*



1 公司代号
Company code

4 电压 Voltage
12=12 VDC
24=24 VDC

2 0
0= 只订插件
0=Order plug-ins only

5 线圈连接 Coil Connection
D= Double Lead 双线
H= Hirschmann 三插
S= Single Lead 单线
ER= Deutsch Connector (Water-proof Coil)
德意志插座(防水线圈)
B= Double Spade 双插

3 密封件 Sealing ring
N 丁腈橡胶 (标准型)
BUNA N (Std.)
V 氟橡胶 Fluorocarbom

安装尺寸 INSTALLATION DIMENSIONS

