

KSV08-35S

二位三通电磁阀 座阀型 (变速箱用)

说明 DESCRIPTION

A solenoid operated, 3-way, 2-position, poppet-type cartridge valve (For transmission application)

二位，三通，座阀式电磁阀，主要应用于变速箱控制

工作 OPERATION

When de-energized, the valve allows flow from ② to ③, while blocking flow at ①. When energized, the cartridge's poppet shifts to allow flow from ① to ②, while blocking flow at ③.

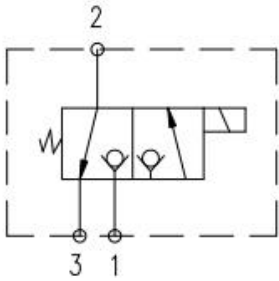
失电时，②和③通，与①不通；得电时，①和②通，与③不通。

手控应急 Operation of Manual Override Option

To override, push button in, twist counterclockwise 180° and release. In this position, valve will remain detented in the shifted condition. To return to normal operation, push button in, twist clockwise 180° and release. Override will be detented in this position.

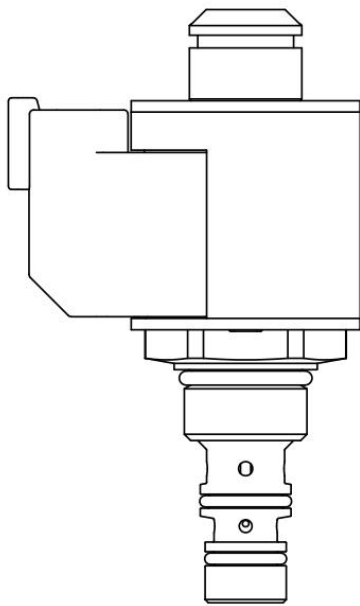
请按下按钮，再逆时针方向旋转 180°，后松开，①和②通，与③不通；请按下按钮，再顺时针方向旋转 180°，后松开，返回常态。

符号 SYMBOL



技术参数 SPECIFICATIONS

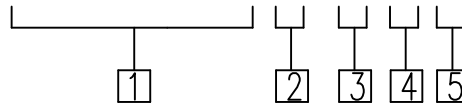
最大工作压力 (Maximum working pressure):	28Bar
最大流量 (Maximum flow):	3.5L/min.
内部泄漏 (Internal leakage):	2 drops/min. (滴/分) max. at 28bar
温度 (Temperature):	-40° F to +212° F (-40° C to +100° C)
过滤 (Filtration):	参考过滤要求 (Reference filter requirements)
油液 (Fluids):	Mineral-based fluids with viscosities of 7.4 to 420 cSt. (矿物油粘度)
插孔 (Cavity):	08-3S



压力-流量曲线 PRESSURE DROP VS. FLOW

订货代号 TO ORDER

KSV08-35S-0- N-*-*



1 公司代码
Company code

4 线圈规格 Coil specification
12=12V
24=24V

2 0
0= 只订插件
0=Order plug-ins only

5 线圈终端 Coil terminal
标准线圈终端 (Standard coil terminal)
DG=Din 43650
DL=导线 (2)
E型线圈终端 (E-coil terminal)
ER=Deutsch DT04-2P
(符合IP69K的标准)

3 密封件 Sealing ring
N 丁腈橡胶 (标准型)
BUNA N (Std.)
V 氟橡胶 Fluorocarbom

安装尺寸 INSTALLATION DIMENSIONS

