

KSV12-34

换向阀 三通

说明 DESCRIPTION

Solenoid operated, three-way, direct acting spool type, hydraulic threaded cartridge valves.

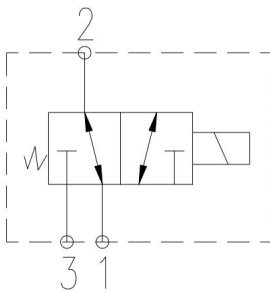
电磁驱动、三通、直动阀芯式、液压螺纹插装阀

工作 OPERATION

When de-energized, the KSV12-34 allows the oil to flow between ② and ①, and to cut off at ③. When energized, the spool moves to allow the oil to flow between ② and ③, and to cut off at ①.

断电时, KSV12-34允许油液②和①之间流动, 而在③处截止。通电后, 阀芯移动, 允许油液在②和③之间流动, 而在①处截止

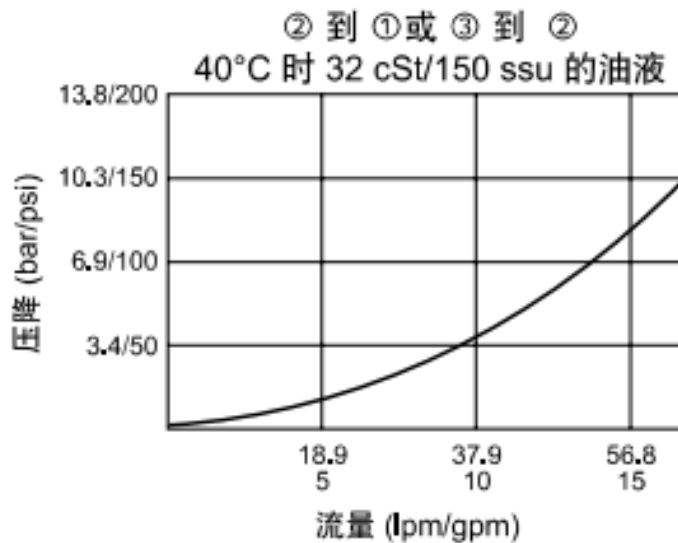
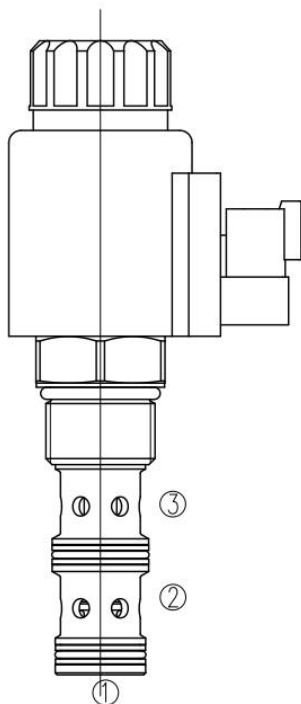
符号 SYMBOL



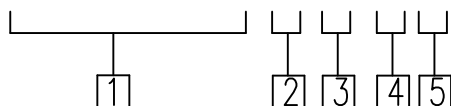
技术参数 SPECIFICATIONS

最大工作压力(Maximum working pressure):	240bar
最大流量(Maximum flow):	60L/min
内部泄漏(Internal leakage):	Up to 164ml/min at 210bar (3000 psi)
温度(Temperature):	-20° C to +100° C
过滤(Filtration):	参考过滤要求 (Reference filter requirements)
油液(Fluids):	Mineral-based fluids with viscosities of 7.4 to 420 cSt. (矿物油粘度)
插孔(Cavity):	VC12-3

压力-流量曲线 PRESSURE DROP VS. FLOW



KSV12-34T-0-N-*-*



1 公司代码
Company code

2 0
0= 只订插件
0=Order plug-ins only

3 密封件 Sealing ring
N 丁腈橡胶 (标准型)
BUNA N (Std.)
V 氟橡胶 Fluorocarbom

4 电压Voitage
12 =DC12
14 =DC14
24 =DC24
28 =DC28

5 线圈终端 Coil terminal
标准线圈终端 (Standard coil terminal)
DG=Din 43650
DL=导线 (2)
E型线圈终端 (E-coil terminal)
ER=Deutsch DT04-2P
(符合IP69K的标准)

安装尺寸 INSTALLATION DIMENSIONS

