

# KSF08-29

二位二通电磁阀 双向止回型

## 说明 DESCRIPTION

A solenoid operated, 2-way, 2-position, normally open, poppet-type bi-directional cartridge valve.

二位，二通，常开型座阀式电磁阀

## 工作 OPERATION

When de-energized, the poppet allows flow in both directions. When energized, the valve blocks flow in both directions.

失电时，阀芯开启，②到①，①到②互通；

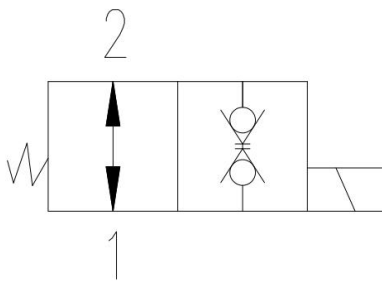
得电时，此阀截止油液双向流动。

### 手控应急 Operation of Manual Override Option

To override, push button in to activate. To return to normal valve function, release button.

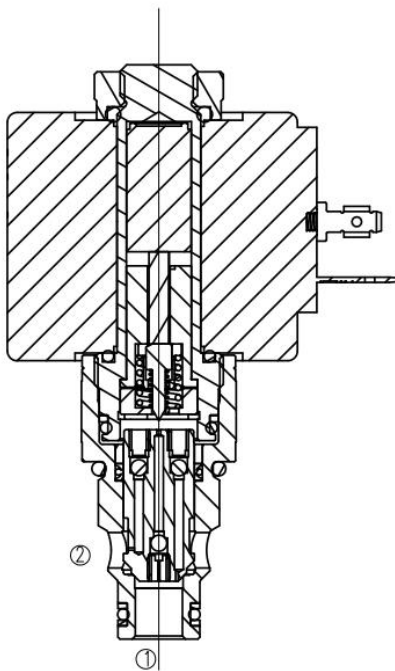
请用工具按下并按住按钮，②与①双向截止；松开按钮，返回常态。

## 符号 SYMBOL

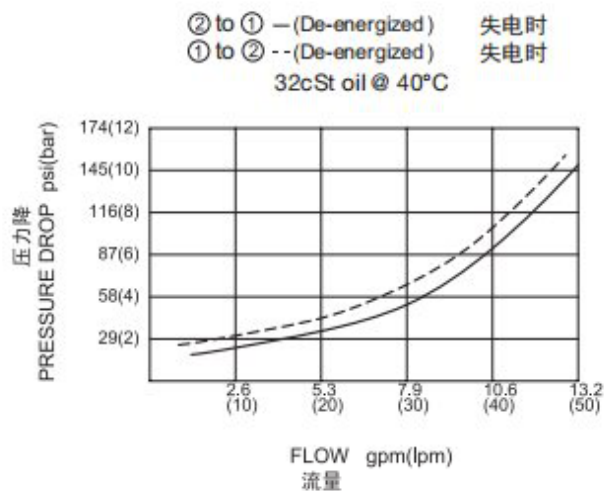


## 技术参数 SPECIFICATIONS

最大工作压力 (Maximum working pressure):	350Bar
最大流量 (Maximum flow):	40L/min
内部泄漏 (Internal leakage):	>0.25 cm <sup>3</sup> /min @ 350 bar
温度 (Temperature):	-40° C to +100° C
过滤 (Filtration):	参考过滤要求 (Reference filter requirements)
油液 (Fluids):	Mineral-based fluids with viscosities of 7.4 to 420 cSt. (矿物油粘度)
插孔 (Cavity):	08-2

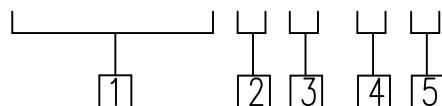


## 压力-流量曲线 PRESSURE DROP VS. FLOW



订货代号 TO ORDER

KSF08-29-0-N -\*-\*



1 公司代码  
Company code

4 电压Voitage  
12 =DC12  
24 =DC24

2 0  
0= 只订插件  
0=Order plug-ins only

3 密封件 Sealing ring  
N 丁氟橡胶 (标准型)  
BUNA N (Std.)  
V 氟橡胶 Fluorocarbom

5 线圈连接Coil Connection  
coli DIN 43650 =DG  
coli DT 04-2P =ER  
两根导线 =DL

安装尺寸 INSTALLATION DIMENSIONS

