

KZDRV-M20

溢流阀

说明 DESCRIPTION

A screw-in, cartridge style, direct acting, poppet type, normally closed hydraulic relief valve.

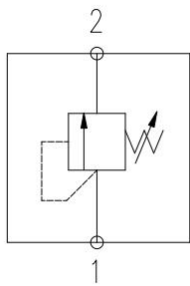
旋入式，套筒式，直动式，提升式，常闭
液压安全阀

工作 OPERATION

When the pressure at the Inlet① reaches the valve setting, the valve starts to open to tank② providing a limited pressure rise. The reduced dimensions and the excellent response time make this valve ideally suited for pilot circuits. Hysteresis is also extremely low.

当入口①处压力达到阀门设定值时，阀门开始向②打开，提供有限的压力升高，减少尺寸和良好的响应时间使该阀非常适合于先导电路，滞后也降低。

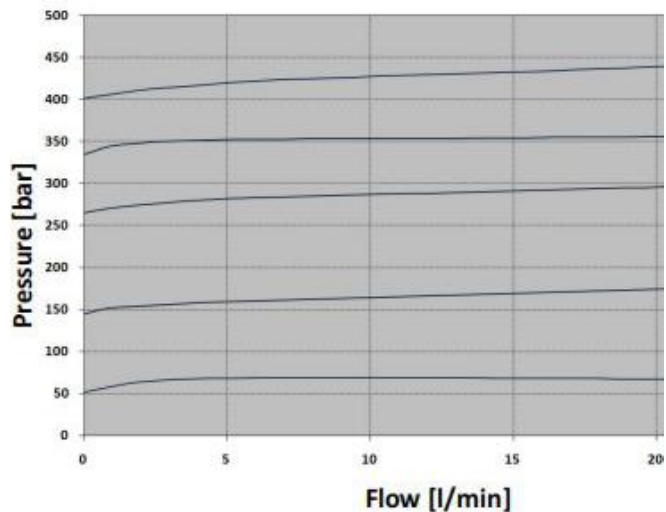
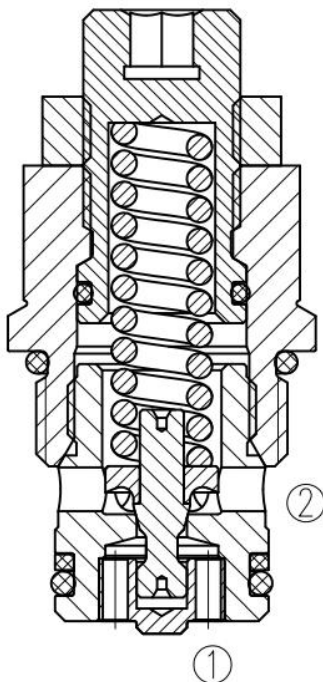
符号 SYMBOL



技术参数 SPECIFICATIONS

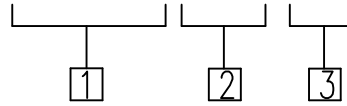
最大工作压力 (Maximum working pressure):	350Bar
最大流量 (Maximum flow):	20L/min
内部泄漏 (Internal leakage):	>0.5ml/min
温度 (Temperature):	-30° C to 110° C
过滤 (Filtration):	参考过滤要求 (Reference filter requirements)
油液 (Fluids):	Mineral-based fluids with viscosities of 7.4 to 420 cSt. (矿物油粘度)
插孔 (Cavity):	XDYF10-03

压力-流量曲线 PRESSURE DROP VS. FLOW



订货代号 TO ORDER

KZDRV-M20-30



① 公司代码
Company code

② M20
M20=公制M20*1.5
M20=METRIC M20*1.5

③ 弹簧型号代码 Spring Model Code
10=10 - 100
30=60 - 260
50=35 - 350

安装尺寸 INSTALLATION DIMENSIONS

