

# KSF08-28

二位二通电磁阀 双向止回型

## 说明 DESCRIPTION

A solenoid operated, 2-way, 2-position, normally closed, poppet-type bi-directional cartridge valve.

二位，二通，常闭型座阀式电磁阀

## 工作 OPERATION

When de-energized, the valve blocks flow in both directions. When energized, the poppet shifts to allow flow in either direction.

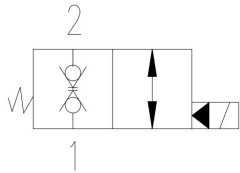
失电时，此阀截止油液双向流动；  
得电时，②到①，①到②互通。

### 手控应急 Operation of Manual Override Option

To override, push button in, twist counterclockwise 180° and release. In this position, the valve will remain open in a detented condition. To return to normal operation, push button in, twist clockwise 180° and release. Override will be detented in this position.

请按下按钮，再逆时针方向旋转 180°，后松开，②到①，①到②互通；请按下按钮，再顺时针方向旋转 180°，后松开，返回常态。

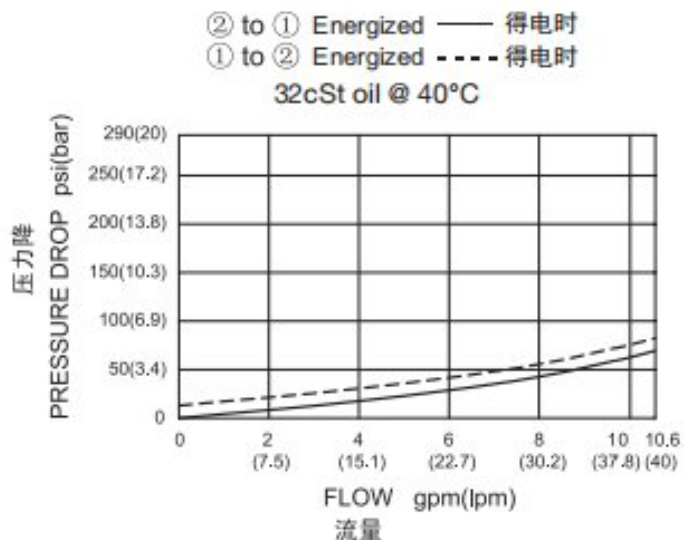
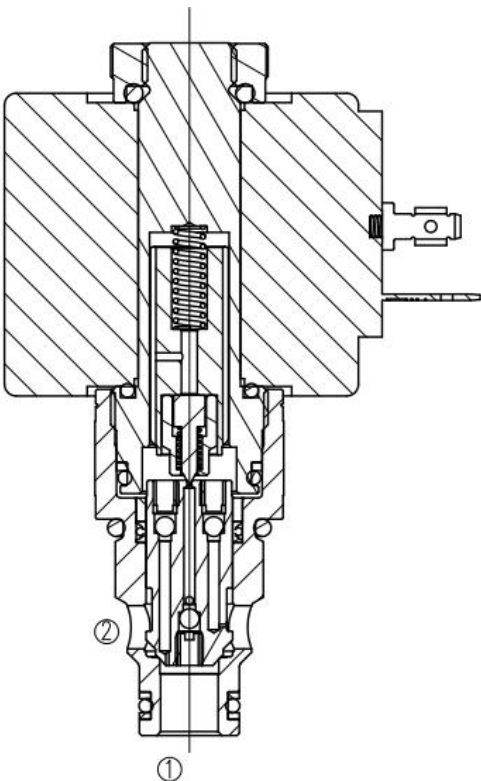
## 符号 SYMBOL



## 技术参数 SPECIFICATIONS

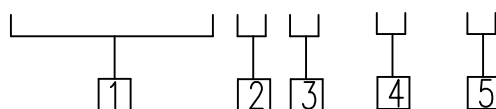
最大工作压力 (Maximum working pressure):	350Ba
最大流量 (Maximum flow):	40L/min
内部泄漏 (Internal leakage):	5 drops/min(滴/分). max. at 350bar
温度 (Temperature):	-40° C to +100° C
过滤 (Filtration):	参考过滤要求 (Reference filter requirements)
油液 (Fluids):	Mineral-based fluids with viscosities of 7.4 to 420 cSt. (矿物油粘度)
插孔 (Cavity):	VC08-2

## 压力-流量曲线 PRESSURE DROP VS. FLOW



订货代号 TO ORDER

KSF08-28-0-N -\*\* -\*\*



① 公司代码  
Company code

④ 12DC =12  
24DC =24

② 0  
0= 只订插件  
0=Order plug-ins only

⑤ coli DIN 43650 =DG  
coli DT 04-2P =ER  
两根导线 =DL

③ 密封件 Sealing ring  
N 丁腈橡胶 (标准型)  
BUNA N (Std.)  
V 氟橡胶 Fluorocarbom

安装尺寸 INSTALLATION DIMENSIONS

