

# KCV16-20

单向阀 锥阀型

## 说明 DESCRIPTION

A cartridge-style poppet-type check valve

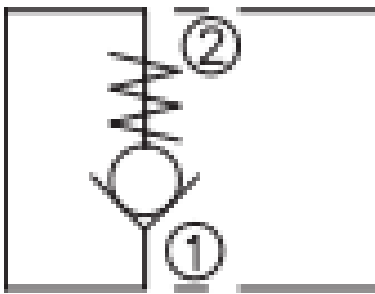
锥阀式螺纹插装单向阀

## 工作 OPERATION

WPressure at ① overcomes the spring-bias poppet and allows free flow from ① to ② . Flow in the opposite direction, from ② to ① ,is blocked by the poppet.

当在①口的压力超过开启压力，①到②开启；  
在反方向，②到①关闭。

## 符号 SYMBOL

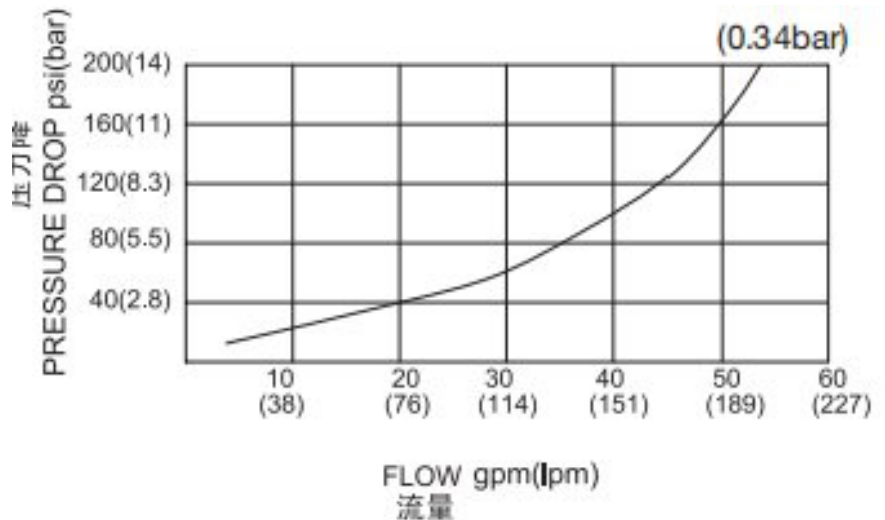
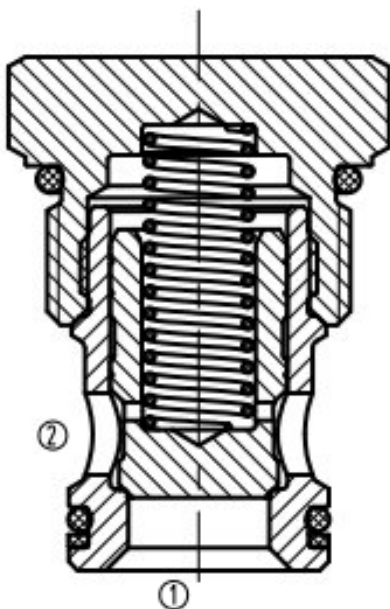


## 技术参数 SPECIFICATIONS

工作压力 (Operating pressure):	350Bar
流量 (Flow):	150L/min
内部泄漏 (Internal leakage):	5 drops/min(滴/分). max. at 350bar
开启压力 (Crack Pressures):	0.34=0.34bar 1.7=1.7bar 4.5=4.5bar 6.9=6.9bar
温度 (Temperature):	-20° C to +90° C
过滤 (Filtration):	参考过滤要求 (Reference filter requirements)
油液 (Fluids):	Mineral-based fluids with viscosities of 7.4 to 420 cSt. (矿物油粘度)
插孔 (Cavity):	VC16-2

## 压力-流量曲线 PRESSURE DROP VS. FLOW

32cSt oil @ 40° C



订货代号 TO ORDER

KCV16-20-0.34

①

②

① 公司代码  
Company code

② 开启压力 (Cracking pressure)  
0.34=0.34bar  
1.7=1.7bar  
4.5=4.5bar  
6.9=6.9bar

## 安装尺寸 INSTALLATION DIMENSIONS

