

# KPV70-30A

比例流量控制阀 滑阀式

## 说明 DESCRIPTION

A solenoid operated, 3-way, 2-position, spool-type cartridge valve.

二位，三通，滑阀式电磁阀

## 工作 OPERATION

The KPV70-30A will regulate the flow of oil port 3, independent of the operating pressure of the system. As the current in the solenoid valve increases, the output flow of the KPV70-30A will also increase.

Emergency manual operation:

When starting: rotate clockwise about 1 turn to reach the starting point. Continue to rotate for about 5 more turns to reach the maximum displacement.

End: Rotate counterclockwise for about 6 cycles to a forward stop.

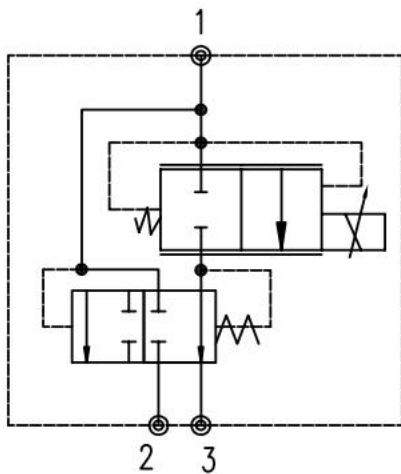
KPV70-30A将调节油口③的流量，不受系统工作压力的影响。随着电磁阀中电流的增大，KPV70-30A的输出流量也将增大。

应急手控操作：

启动时：顺时针旋转约 1 圈可达到起点。继续再旋转约5圈可以达到最大位移。

结束时：逆时针旋转约 6 周至正向停止。

## 符号 SYMBOL



## 技术参数 SPECIFICATIONS

工作压力 (Operating pressure):	207bar
最大输入流量 (Maximum input flow):	50L/min
最大优先流量 (Maximum priority flow):	26L/min
电磁阀电压 (Solenoid valve voltage):	24V ± 15%DC
最大控制电流 (Maximum control current):	800mA ± 100mA
内泄漏 (Internal Leakage):	(per land) 82cc/min. (毫升/) max. at 207bar
温度 (Temperature):	-20° C to +90° C
过滤 (Filtration):	参考过滤要求 (Reference filter requirements)
油液 (Fluids):	Mineral-based fluids with viscosities of 7.4 to 420 cSt. (矿物油粘度)
插孔 (Cavity):	VC10-3
电磁阀接插件 (Solenoid valve connector):	DT04-2P

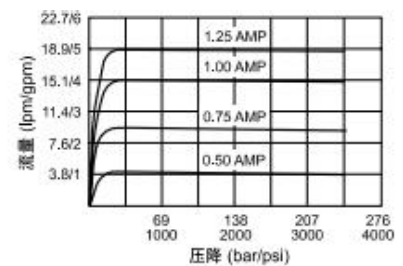
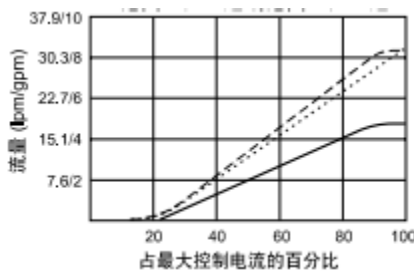
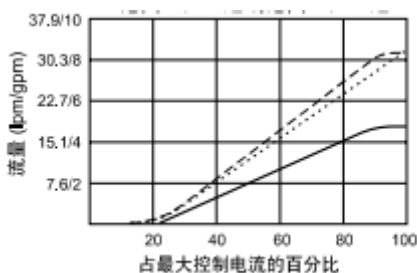
## 电量-流量曲线 Charge flow curve

207bar; 12V线圈; 200HZ PWM  
32cSt oil @ 40° C

- ..... 范围A, 二通 (Range A, two way)
- 范围A, 三通 (Range A, three way)
- 范围B, 二通或范围B, 三通 (Range B, two way; Range A, three way)

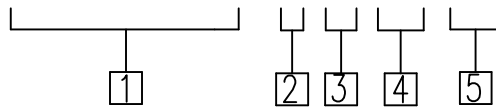
Adjust flow and pressure drop  
Two way: Flow range A  
240 bar inlet 12V coil;  
32 cSt oil at 200HZ PWM AT 40 °C

Adjust flow and pressure drop  
Two way: Flow range B  
240 bar inlet 12V coil;  
32 cSt oil at 200HZ PWM AT 40 °C



订货代号 TO ORDER

KPV70-30A-0-N-\*\* \*\*



1 公司代码  
Company code

4 线圈规格 Coil specification  
12=12V  
24=24V

2 0  
0= 只订插件  
0=Order plug-ins only

5 线圈终端 Coil terminal  
标准线圈终端 (Standard coil terminal)  
DG=Din 43650  
DL=导线 (2)  
E型线圈终端 (E-coil terminal)  
ER=Deutsch DT04-2P  
(符合IP69K的标准)

3 密封件 Sealing ring  
N 丁腈橡胶 (标准型)  
BUNA N (Std.)  
V 氟橡胶 Fluorocarbo

安装尺寸 INSTALLATION DIMENSIONS

