



KL710两位六通电磁阀 6/2 ways/positions flow diverters

额定 压力: 25MPa

最大峰值压力: 31MPa

额定 流量: 25L/Min

泄 露 量: 25ml/Min以内, 压力在100Bar时

螺纹接口: G1/4 SAE4-JIS B 1/4 Ports: G1/4 SAE4-JIS B 1/4

订购型号

KL	7	10	_	10	_	_	_	_	_	_
----	---	----	---	----	---	---	---	---	---	---

公司代号

油口

G1/4 DIN3852 =2

JIS B G1/4 =J

两 位 六 通 =6

两位六通带泄油 =7

Internal drain =A

External drain =E

coil model CZ10 =L

12 DC =12

13 DC =13

24 DC =24

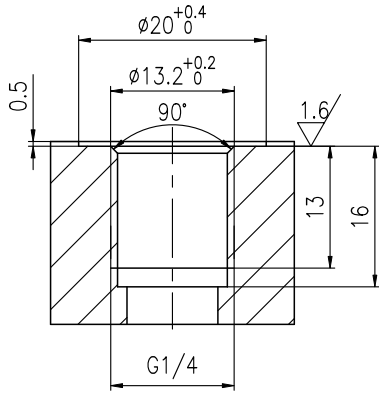
27 DC =27

coil DIN 43650 =EG

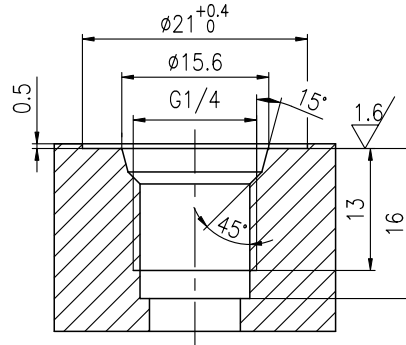
coil DT 04-2P =ER

Ports

G1/4 DIN3852 =2

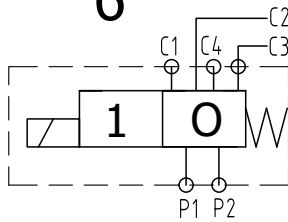


JIS B G1/4 =J

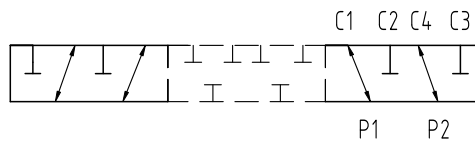
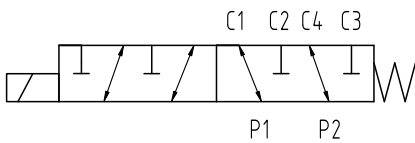
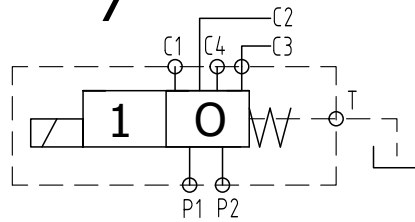


工作机能

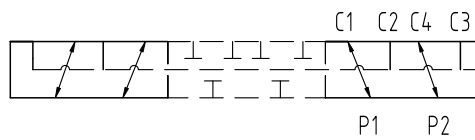
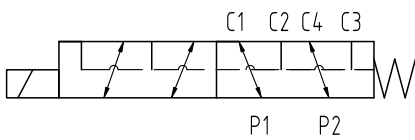
6



7



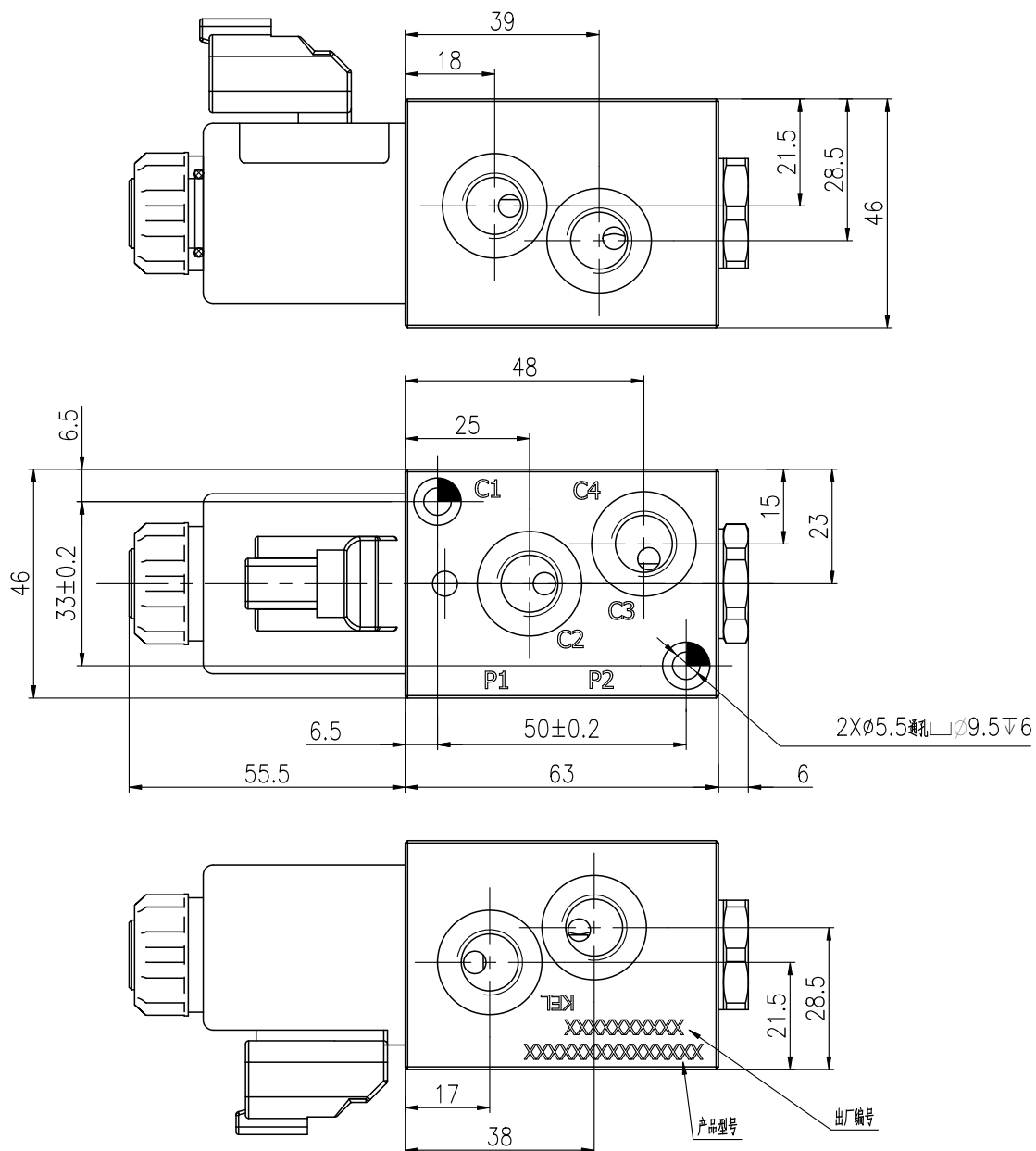
A



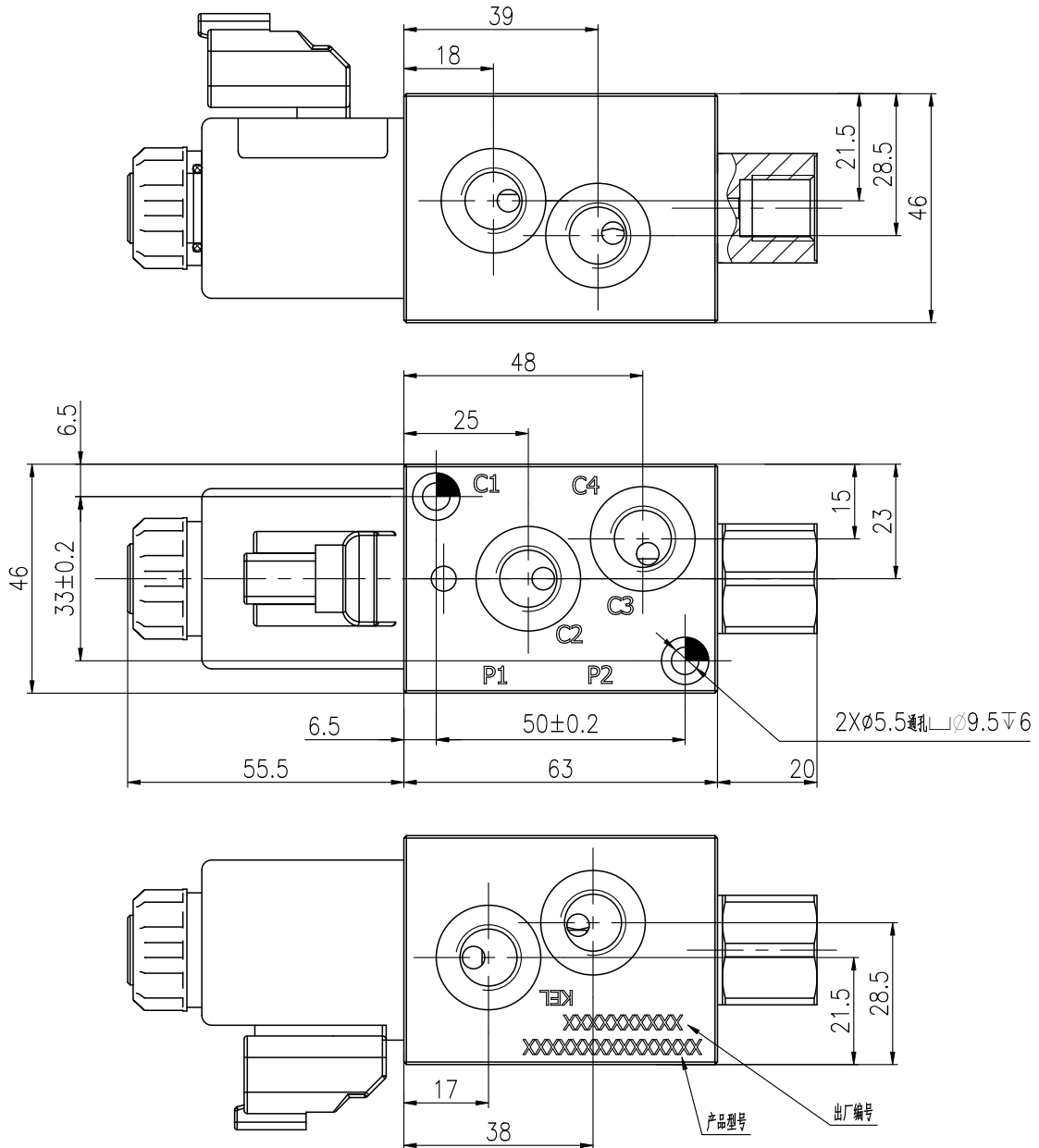
E

KL710两位六通电磁阀

External Dimensions and Fittings  
6A/6E R933 ER



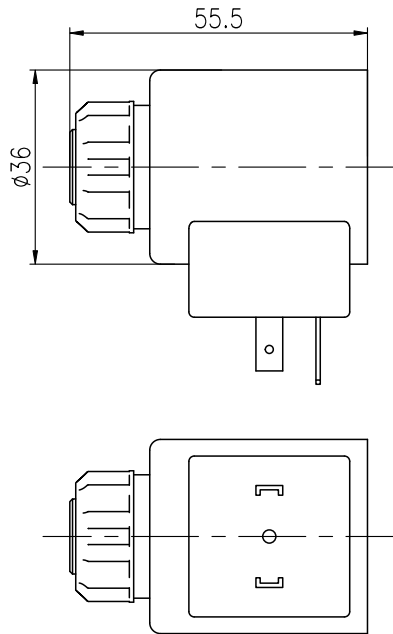
External Dimensions and Fittings  
7A/7E R933 ER



External Dimensions and Fittings

线圈型号

L-EG DIN43650



L-ER DT04-2P

