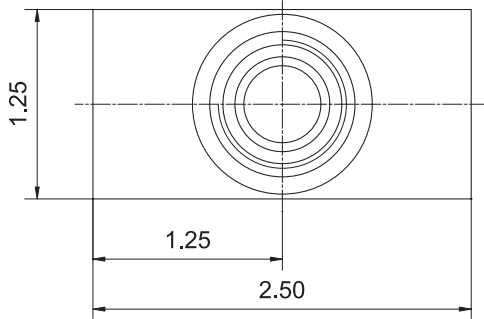


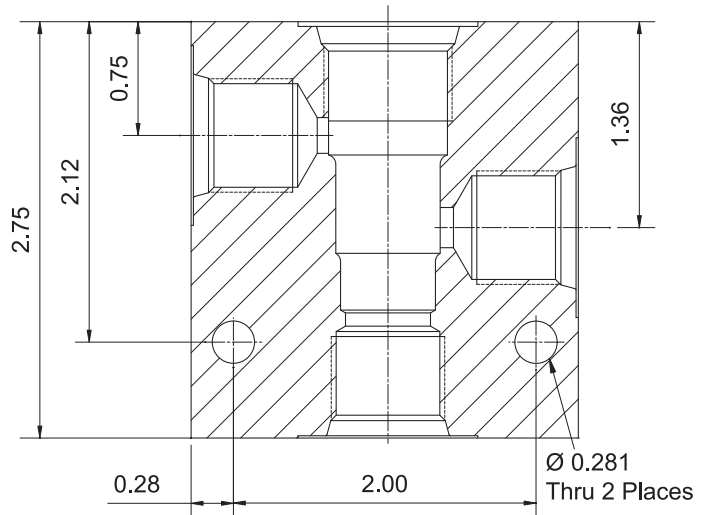
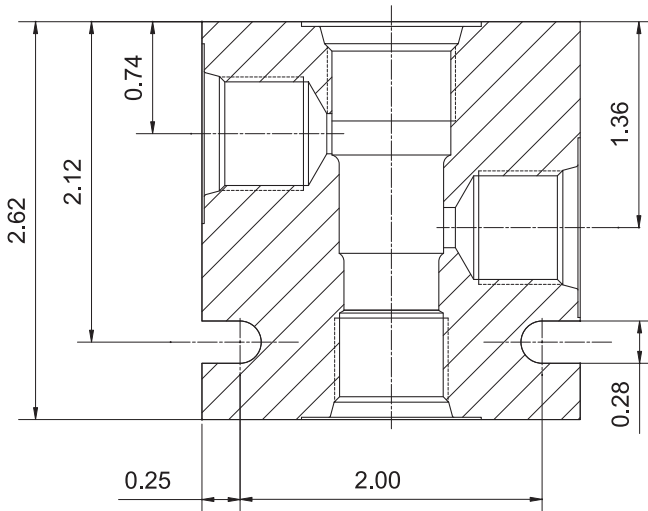
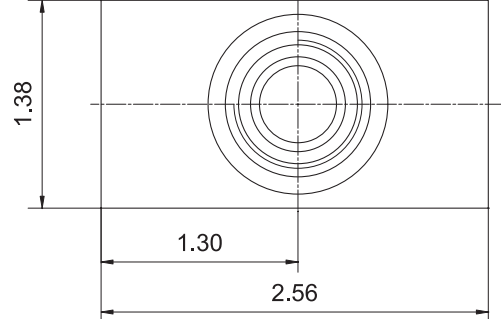
标准阀块

Series 10 3-WAY Housings

3-WAY 三通
Aluminum (铝)



3-WAY 三通
Steel (钢)



Unit=Inches

SERIES 10 3-WAY HOUSINGS			
Part No.	Material	Operating Pressure	Ports
LB10-3-A-3N	Aluminum,6061-T6	210 bar (3000 psi)	3/8" NPTF
LB10-3-A-6T	Aluminum,6061-T6	210 bar (3000 psi)	SAE 6
LB10-3-A-8T	Aluminum,6061-T6	210 bar (3000 psi)	SAE 8
LB10-3-A-2G	Aluminum,6061-T6	210 bar (3000 psi)	G 1/4
LB10-3-A-3G	Aluminum,6061-T6	210 bar (3000 psi)	G 3/8
LB10-3-S-3N	Steel	350 bar (5000 psi)	3/8" NPTF
LB10-3-S-6T	Steel	350 bar (5000 psi)	SAE 6
LB10-3-S-8T	Steel	350 bar (5000 psi)	SAE 8
LB10-3-S-2G	Steel	350 bar (5000 psi)	G 1/4
LB10-3-S-3G	Steel	350 bar (5000 psi)	G 3/8