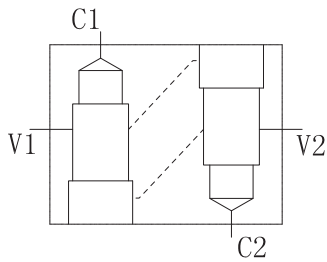


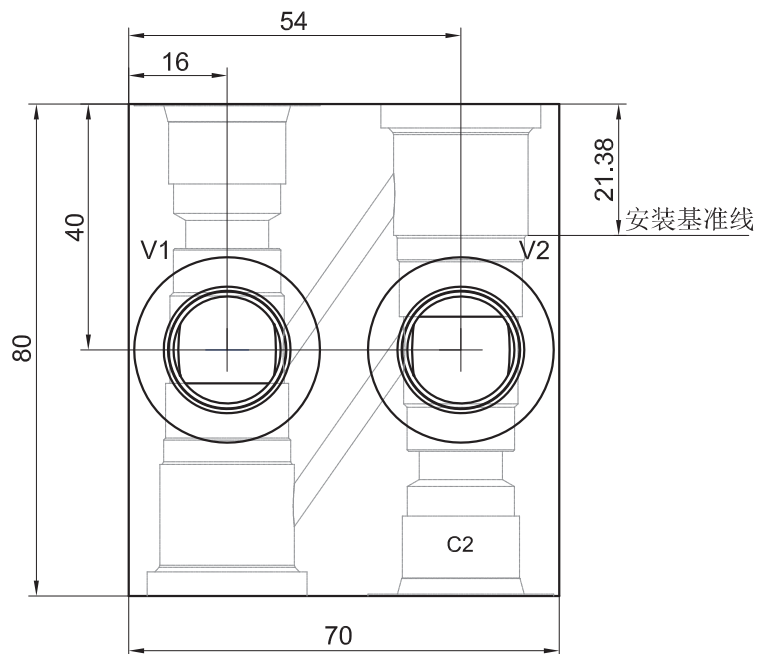
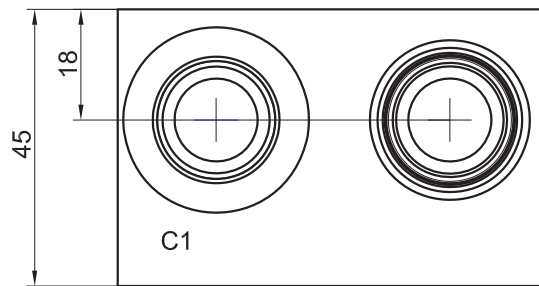
标准阀块

Series SUN T-11A Cross-Pilot Housings(LBHC-T11A-2-A-8T)

FUNCTION:



CAVITY: SUN T-11A



Unit=Millimeters

Part No.	Material	Operating Pressure	Pressure Ports
LBHC-T11A-2-A-8T	Aluminum,6061-T6	210 bar (3000 psi)	SAE 8
LBHC-T11A-2-A-3G	Aluminum,6061-T6	210 bar (3000 psi)	G 3/8